

渣浆泵橡胶过流部件专业制造商
PROFESSIONAL MANUFACTURER OF RUBBER FLOW PARTS FOR SLURRY PUMP



橡一泵业
XIANGYI PUMP

渣浆泵橡胶过流部件专业制造商
PROFESSIONAL MANUFACTURER OF RUBBER FLOW PARTS FOR SLURRY PUMP



橡一泵业
XIANGYI PUMP

河北橡一泵业有限公司
HEBEI XIANGYI PUMP CO., LTD.

我们真诚期待与您的合作
WE ARE LOOKING FORWARD TO CORPORATE WITH YOU SINCERELY.

地址Add: 中国河北省石家庄市正定科技工业园晨光路 Zhengding County Shijiazhuang City Hebei province China.
电话Tel: +86-311-89197938 Overseas Dep: 0086-311-89197800
传真: +86-311-89197938/7808 Email: dsgjmy100@desheng.net
中文网站: <http://pump.xiangyi.co> Web: <http://pump.xiangyi.co>

河北橡一泵业有限公司
HEBEI XIANGYI PUMP CO.,LTD.

THE BUSINESS CONCEPT OF COMPANY

经营理念

用心服务 尽善尽美

DO THE PERFECT WITH WHATEVER WE CAN

悉查客户需求，超越客户期盼

KNOW WHAT'S CUSTOMER DEMAND AND DO BEYOND CUSTOMER'S EXCEPTION.

CONTENTS

目录

公司篇



公司简介 COMPANY INTRODUCTION	02
公司资质 CERTIFICATE	04
公司荣誉 HONOR	05
质量保障 QUALITY ASSURANCE	06
主要设备 MAIN EQUIPMENT	07
客户服务 CUSTOMER SERVICES	21



产品及服务篇



(XY)AH. (XY)LR系列渣浆泵及配件 (XY)AH. (XY)LR SERIES SLURRY PUMP & SPARE PARTS.	10
(XY)SPR液下泵及配件 (XY)SPR SUBMERGED PUMP & SPARE PARTS.	12
TLR 脱硫泵及配件 TLR DESULFURIZATION PUMP & SPARE PARTS.	14
ZGB 渣浆泵及配件 ZGB SLURRY PUMP & SPARE PARTS.	16
各类密封件、橡胶弹簧、管道密封圈等橡胶产品 VARIOUS TYPES OF SEALS, RUBBER SPRINGS, PIPES SEALING RINGS AND OTHER RUBBER PRODUCTS.	17
产品代加工 OEM AVAILABLE	17
耐磨钢橡胶复合管 化工防腐衬里 WEAR-RESISTANCE RUBBER-METAL CLAD PIPES, CHEMICAL ANTI-CORROSION LINERS.	18
渣浆泵橡胶材质牌号 PARAMETER	19



橡一泵业
XIANGYI PUMP

THE INTRODUCTION OF COMPANY

公司简介

河北橡一泵业有限公司(原石家庄市第一橡胶厂)1966年正式成立, 我公司拥有五十多年生产渣浆泵过流部件、防腐耐磨橡胶衬里、耐磨钢橡复合管、密封件等橡胶制品的专业经验。厂区位于石家庄市正定科技工业园, 占地15万平方米, 投资超过5.5亿元人民币, 公司管理体系健全, 已通过ISO9001质量体系认证、ISO14001环境管理体系认证和ISO45001职业健康安全管理体系认证。

Hebei Xiangyi Pump Co., Ltd. (formerly Shijiazhuang First Rubber Factory) was formally established in 1966. Our company has more than 50 years of professional experience in production of slurry pump flow passage parts, anti-corrosion and wear-resistant rubber liners, wear-resistance rubber-metal clad pipes and seals. The factory is located in Zhengding Technology Industrial Park, Shijiazhuang City. It covers an area of 150,000 square meters and has an investment of more than 550 million RMB. The company has a sound management system and has passed ISO9001 quality system certification, ISO14001 environmental management system certification and ISO45001 occupational health and safety management system certification.

我们拥有专业的生产设备和完备的检测手段, 拥有75升密炼生产线, 100-4500吨不同规格平板硫化机20余台, 拥有7500mm x 4500mm房式喷砂系统和 ϕ 2.5m x 12m 卧式大型硫化罐等专业设备。橡一泵业同时拥有物理实验室和化学实验室, 试验和检测、检验仪器齐全, 为橡胶配方开发及生产过程控制提供了强有力的保证!

We have professional production equipment and complete testing methods, a 75-liter mixing production line, more than 20 sets plate vulcanize machine with capacity range from 100 to 4500 tons, a 7500mm x 4500mm room-type sandblasting system and a ϕ 2.5m x 12m horizontal large-scale vulcanizing tanks. Xiangyi Pump Co., Ltd. has both a physics laboratory and a chemical laboratory, complete testing and inspection equipment, which provides a strong guarantee for rubber formulation development and production process control!

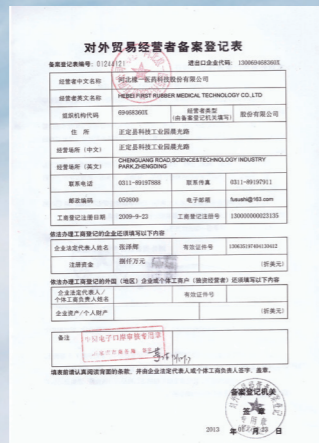


我公司长期专注于渣浆泵耐磨橡胶研发, 并且进行持续不断地改进和创新, 产品寿命接近国际领先水平。我们和国内高校建立了合作关系, 以此来保证新产品的不断研发, 同时为国内多家大型渣浆泵企业生产提供产品, 产品出口到南非、俄罗斯、伊朗、蒙古国、日本等国家。我们愿为国内外渣浆泵厂家及矿山、电厂等直接用户提供最专业、最齐全的渣浆泵橡胶过流部件。

Our company has long focused on the research and development of wear-resistant rubber for slurry pumps, and has continued to improve and innovate. The life of the product is close to the international leading level. We have established cooperative relations with domestic universities to ensure the continuous research and development of new products. At the same time, we provide products to many domestic slurry pump manufacture. The products also exported to South Africa, Russia, Iran, Mongolia, Japan and other countries. We are willing to provide the most professional and complete slurry pump rubber flow passage parts to mines, power plants and other direct users.

THE CERTIFICATE OF OUR COMPANY

公司资质



THE HONOR OF OUR COMPANY

公司荣誉



荣获“河北省企业技术中心”称号
Hebei Province Technology Center



荣获“河北省‘专精特新’中小企业”称号
Hebei province Specialized, fined, peculiar and innovative enterprise

资质专利等以母公司申请

THE QUALITY GUARANTEE OF OUR COMPANY

质量保证

河北橡一泵业具有完善的质量保证体系，始终贯彻“质量就是生命”的经营理念。从原材料进厂检验，生产过程控制到最终产品检验，从产品设计到客户技术服务，从客户管理到售后服务都建立起一系列的流程和规范。正是拥有了完善的“质量保证体系”，企业才拥有强大的生命力和竞争力。

Hebei Xiangyi Pump Co., Ltd. has a complete quality assurance system and has always implemented the business philosophy of "quality is life". A series of procedures and specifications have been established from raw material incoming inspection, production process control to final product inspection, from product design to customer technical service, from customer management to after-sales service. It is with a complete "quality assurance system" that a company has strong vitality and competitiveness.



冲击弹性仪
Rubber Impact Elasticity Tester



门尼粘度计
Mooney viscometer



拉力机
Rubber tensile machine



化学分析
Chemical analysis



硬度计
Shore Hardness Tester

THE MAJOR EQUIPMENT OF OUR COMPANY

主要设备

1000mm*1000mm*2 /400T 双联平板硫化机

Double electric heating vulcanizing machine

用于中小型橡胶件的硫化生产。

applied to the vulcanizing operation for middle-sized and small-sized rubber flow passage components.

双联结构两边独立控制，操作互不干涉，分别采用两套电机油泵独立控制，大大降低了日后维修保养难度。设备采用PC+触摸屏进行程序控制，按钮操作，符合传统操作习惯便于提高工作效率，工作性能稳定。

The two sides of the double structure are independently controlled, and the operation does not interfere with each other. Two sets of motor oil pumps are used for independent control, which greatly reduces the difficulty of future maintenance.

The equipment adopts PC and touch screen for program control and button operation, which conforms to traditional operating habits to improve work efficiency and stable work performance.



1600mm*1600mm/1000T 平板硫化机

1600mm*1600mm plate vulcanizing machine

用于大中型橡胶件的硫化生产。

applied to the vulcanizing operation for big scale and middle-sized rubber products, such as flow passage components of the Large slurry pumps and desulfurization pumps.



4500T 自动推出平板硫化机

4500T Auto-push plate vulcanizing machine

热板尺寸 3300mmx3300mm, 该设备自动化程度高, 用于大型渣浆泵、脱硫泵橡胶过流部件等大型工程橡胶制品硫化作业。

Plate size 3300mmx3300mm, the machine with high level automation, applied to the vulcanizing operation for big scale rubber products, such as flow passage components of the Large slurry pumps and desulfurization pumps.

φ 2500mm x 12000mm 卧式硫化罐

φ 2500mm x 12000mm Horizontal vulcanizer

可进行耐磨钢橡复合管、橡胶衬里等大型耐磨及防腐产品的硫化。

Applied to the vulcanizing operation for big-scale wear resistant and antiseptic products, such as wear resistant rubber-steel clad pipe, rubber liner and so on.



7500mmx4500mm 房式喷砂系统

7500mmx4500mm room-sandblasting system

用于各类橡胶制品的金属骨架除锈作业。

Applied to rust removing operation for the metal frame of rubber products.

(XY) AH、LR系列渣浆泵及配件

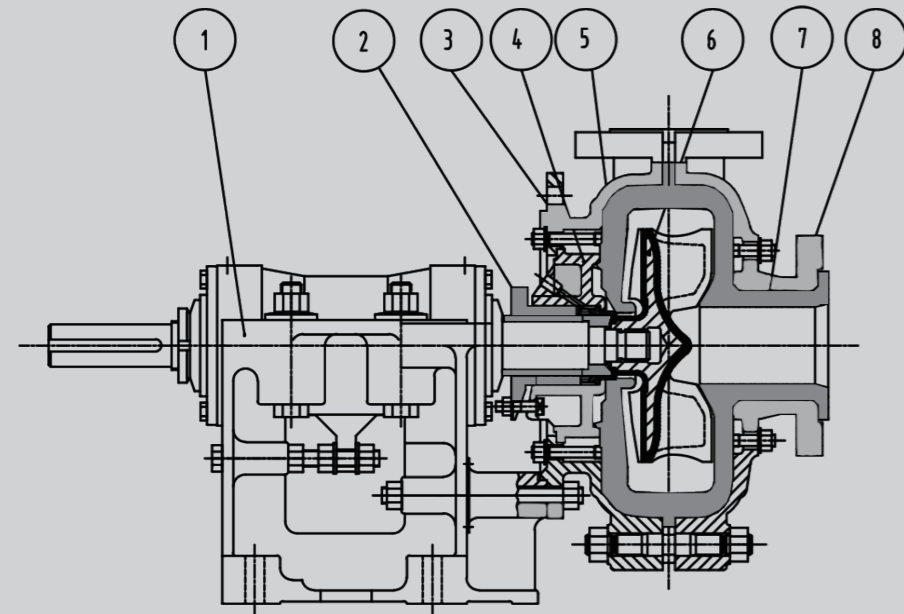
(XY) AH, LR SERIES SLURRY PUMP AND ACCESSORIES

卧式渣浆泵为悬臂离心式渣浆泵，适用于输送磨蚀性或腐蚀性渣浆，被广泛用于冶金、矿山、石油、化工、煤炭、电力、交通、河流疏浚、建材及市政工程等部门。其结构特点，按使用范围可分为以下几种形式：

The horizontal slurry pump is a cantilever centrifugal slurry pump, which is suitable for conveying abrasive or corrosive material. It is widely used in metallurgy, mining, petroleum, chemical industry, coal, electric power, transportation, river dredging, building materials and municipal engineering, etc. department. Its structural characteristics can be divided into the following forms according to the scope of use:

(XY)AHR、LR型泵，该型泵过流部件为橡胶材料。其泵体、泵盖及传动部分等与AH、L、M型泵通用。适用于输送细颗粒及腐蚀性渣浆。

(XY)AHR, LR type pump, the flow part of this type of pump is rubber material. The pump body, pump cover and transmission part are common to AH, L, M pumps. Suitable for conveying fine particles and corrosive slurries.



- | | |
|----------|-------------------|
| 1.托架 | Support |
| 2.对开填料压盖 | Packing gland |
| 3.泵体 | Pump body |
| 4.填料箱 | Packing tank |
| 5.后护套 | Frame plate liner |
| 6.叶轮 | Impeller |
| 7.前护套 | Cover plate liner |
| 8.泵盖 | Pump cover |

备件信息 SPARE PART

XY1.5/1B-AHR	叶轮	impeller	XYB1052	XY14/12ST-AHR	叶轮	impeller	XYG12147
	前护套	cover plate liner	XYB1017		前护套	cover plate liner	XYG12018
	后护套	frame plate liner	XYB1036 XYB1036HS1		后护套	frame plate liner	XYG12043
XY2/1.5B-AHR	叶轮	impeller	XYB15127	XY16/14TU-AHR	前护板	throat bush	XYG12083
	前护套	cover plate liner	XYB15017		后护板	frame plate liner insert	XYG12041
	后护套	frame plate liner	XYB15036 XYB15036HS1		叶轮	impeller	XYH14147
XY3/2C-AHR	叶轮	impeller	XYC2127	XY300S-LR	前护套	cover plate liner	XYH14018
	前护套	cover plate liner	XYC2017		后护套	frame plate liner	XYH14043
	后护套	frame plate liner	XYC2036 XYC2036HS1		前护板	throat bush	XYH14083
XY4/3D-AHR	叶轮	impeller	XYD3147	XY300S-LR	后护板	frame plate liner insert	XYH14041
	前护套	cover plate liner	XYD3017		叶轮	impeller	XYSL30147
	后护套	frame plate liner	XYD3036		前护套	cover plate liner	XYSL30018
XY6/4E-AHR	前护套	cover plate liner	XYE4147R XYE4018R XYE4018TL1	XY300S-LR	后护套	frame plate liner	XYSL30036
	后护套	frame plate liner	XYE4036R		前护板	throat bush	XYSL30083
	前护板	throat bush	XYE4083R				
XY8/6E-AHR	叶轮	impeller	XYF6147R				
	前护套	cover plate liner	XYF6018				
	后护套	frame plate liner	XYF6036				
	前护板	throat bush	XYF6083				
XY10/8E-MR	叶轮	impeller	XYF8147				
	前护套	cover plate liner	XYF8018				
	后护套	frame plate liner	XYF8036				
	前护板	throat bush	XYF8083				
XY10/8ST-AHR	叶轮	impeller	XYG8147				
	前护套	cover plate liner	XYG8018				
	后护套	frame plate liner	XYG8036				
	前护板	throat bush	XYG8083				
XY12/10ST-AHR	叶轮	impeller	XYG10147				
	前护套	cover plate liner	XYG10018				
	后护套	frame plate liner	XYG10036				
	前护板	throat bush	XYG10083				



(XY) SPR液下泵及配件

(XY) SPR SUBMERGED PUMP AND ACCESSORIES

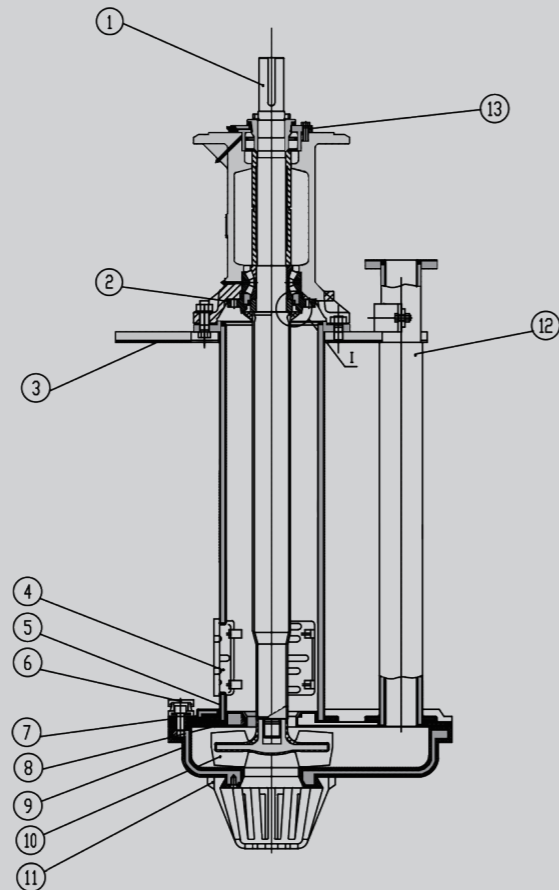
(XY)SPR型液下泵为立式离心渣浆泵，适于输送磨蚀性或腐蚀性渣浆。泵一般浸入池内或坑内工作。

The (XY)SPR submerged pump is a vertical centrifugal slurry pump, suitable for conveying abrasive or corrosive material. The pump is generally immersed in a pool or pit to work.

(XY)SPR型过流部件和轴衬用耐磨、耐腐蚀的橡胶，适于输送磨蚀性和腐蚀性渣浆。
(XY)SPR 型液下泵广泛用于冶金、矿山、煤炭、电力、建材等部门。

(XY)SPR flow passage parts and bushings use wear-resistant and corrosion-resistant rubber, suitable for conveying abrasive and corrosive material. (XY)SPR submerged pumps are widely used in metallurgy, mining, coal, electric power, building materials and other sectors.

- | | |
|----------|--------------------------|
| 1. 轴 | Bearing |
| 2. 下端盖 | End Cap |
| 3. 安装板 | Install Board |
| 4. 滤网 | Filter |
| 5. 支架 | Support |
| 6. 螺栓头护套 | Bolt Sheath |
| 7. 连接板 | Connection Board |
| 8. 后护板 | Frame plate liner insert |
| 9. 泵体 | Pump Body |
| 10. 叶轮 | Impeller |
| 11. 下滤网 | Bottom Filter |
| 12. 吐出管 | Outlet |
| 13. 端盖 | End Cap |



液下渣浆泵橡胶过流部件

SUBMERGED PUMP RUBBER FLOW PASSAGE COMPONENT.

主要用于金属、非金属选矿企业，是主机置于液面以下的液下渣浆泵的中心部件。它具有高耐磨、高耐腐、强力大、寿命长等特点。是液下抽取渣浆的首选产品。

Mainly used in metal and non-metal mining enterprises, it is the central part of the submerged slurry pump with the main machine placed below the liquid. It has the characteristics of high wear resistance, high corrosion resistance, high strength and long life. It is the first choice for submerged extraction of slurry.



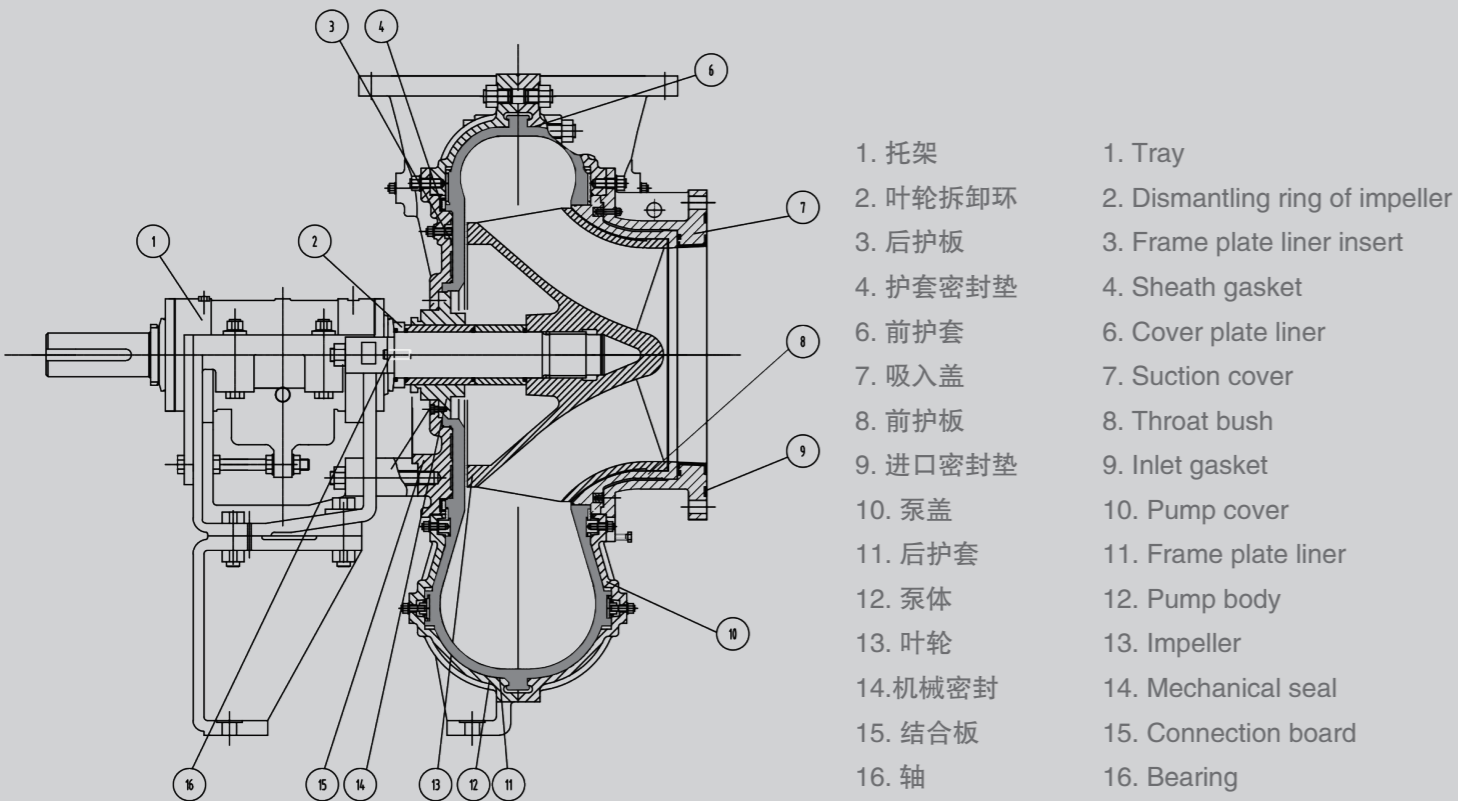
XY40PV-SPR	叶轮 impeller	XYSPR4206
	连接板 connect board	XYSPR4153
	后护板 frame plate liner insert	XYSPR4041
	泵体 pump body	XYSPR4092
XY65QV-SPR	叶轮 impeller	XYSPR65206A
	连接板 connect board	XYSPR65153
	后护板 frame plate liner insert	XYSPR65041
	泵体 pump body	XYSPR65092
XY100RV-SPR	叶轮 impeller	XYSPR10206A
	后护板 frame plate liner insert	XYSPR10041
	泵体 pump body	XYSPR10092

TLR脱硫泵及备件

DESULFURIZATION PUMP AND SPARE PARTS

TLR型脱硫泵主要作为湿法FGD装置中吸收塔循环用泵，其特点是大流量，低扬程，高效率。并根据吸收塔循环工况选配适合材质，优化设计结构，使之能始终处于高效，经济的运行状态。也可以用于冶金，矿山，煤炭，建材，化工等工业部门含有腐蚀性同体颗粒的渣浆输出。

The TLR type desulfurization pump is mainly used as the pump for the absorption tower circulation in the wet FGD device, which is characterized by large flow, low lift, and high efficiency. In addition, suitable materials are selected according to the cycle conditions of the absorption tower, and the design structure is optimized, so that it can always be in an efficient and economical operating state. It can also be used for the output of slag slurry containing corrosive homogenous particles in metallurgy, mining, coal, building materials, chemical and other industrial sectors.



脱硫泵橡胶过流部件

DESULFURIZATION PUMP RUBBER FLOW PASSAGE COMPONENT.

主要用于化工、环保、电力企业。该产品具有强大的耐磨性、耐冲击性、耐腐蚀性、摩擦系数低、抗粘性强。是抽取输送酸碱清液、腐蚀性矿浆、环保排污的首选产品。

Mainly used in chemical, environmental protection and power enterprises. The product has strong wear resistance, impact resistance, corrosion resistance, low friction coefficient and strong anti-sticking properties. It is the first choice for pumping and transporting acid and alkali liquids, corrosive ore slurry, and environmentally friendly sewage discharge.



600X-TLR	前护套 cover plate liner	600TLR-020
	后护套 frame plate liner	600TLR-030
	后护板 frame plate liner insert	600TLR-050
700X-TLR	前护套 cover plate liner	700TLR-020
	后护套 frame plate liner	700TLR-030
	后护板 frame plate liner insert	700TLR-050
800X-TLR	前护套 cover plate liner	800TLR-020
	后护套 frame plate liner	800TLR-030
	后护板 frame plate liner insert	800TLR-050

ZGB渣浆泵及配件

DESULFURIZATION PUMP AND SPARE PARTS

ZGB型渣浆泵该产品具有结构合理、效率高、寿命长、可靠性高、维修方便、运行费用低等显著优点,广泛用于电力、冶金、矿山、煤炭、建材、化工等工业部门输送含有磨蚀或腐蚀性的渣浆,特别适用于电厂灰渣输送。

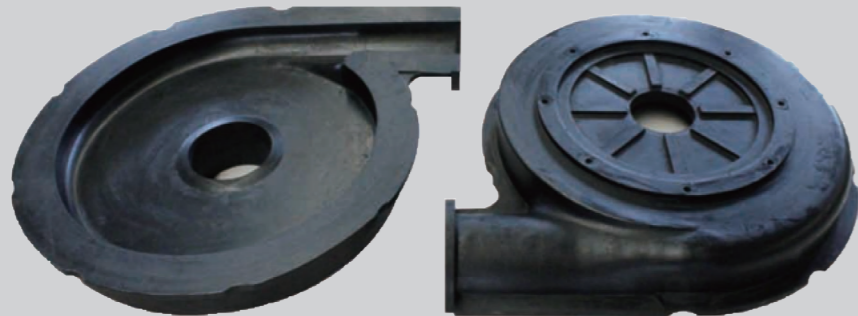
The ZGB slurry pump has significant advantages such as reasonable structure, high efficiency, long life, high reliability, convenient maintenance, and low operating costs. It is widely used in power, metallurgy, mining, coal, building materials, chemical industries and other industrial sectors for transportation, especially suitable for the transportation of ash and slag in power plants.

ZGB 渣浆泵橡胶过流部件

ZGB SLURRY PUMP RUBBER FLOW PASSAGE COMPONENT.

主要用于金属、非金属选矿企业,是ZGB 渣浆泵的中心部件。具有扬程高、效率高、流量大等优势。

Mainly used in metal and non-metal mining enterprises, it is the central component of ZGB slurry pump. It has the advantages of high lift, high efficiency and large flow.



80ZGB	前护套 cover plate liner
	后护套 frame plate liner
100ZGB	前护套 cover plate liner
	后护套 frame plate liner
150ZGB	前护套 cover plate liner
	后护套 frame plate liner

各类密封件、橡胶弹簧、管道密封圈等橡胶产品

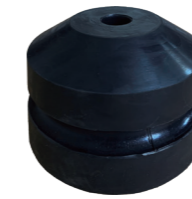
VARIOUS TYPES OF SEALS, RUBBER SPRINGS, PIPES SEALING RINGS AND OTHER RUBBER PRODUCTS

拥有精密预成型机,自动推出式平板硫化机,注射式硫化机,能生产各种密封垫和O型圈(包括泵用密封垫),管道密封件等,为汽车工业,机械,化工,石油,冶金行业广泛采用。

Equipped with accurate perform machine, auto-push vulcanizing machine, syringe vulcanizing machine. We produce various sealing gasket, O-seal ring, pipeline seal element, diaphragm etc. The products widely used in automotive industry, mechanical, chemical, petroleum, metallurgy etc.



密封垫
Gasket



橡胶弹簧
Rubber spring



泵用密封垫
Pump gasket



给排水管道密封圈
Pipe sealing ring

产品代加工

OEM AVAILABLE

除了自有产品,也接受来图、来样、测绘加工等业务。

OEM, OBM Surveying and Mapping processing Available.



耐磨钢橡胶复合管 化工防腐衬里

WEAR-RESISTANCE RUBBER-METAL CLAD PIPES, CHEMICAL ANTI-CORROSION LINERS.

我公司依托多年橡胶专业技术并借鉴国内外同类产品自行开发出有良好耐磨性能和粘合性能的钢橡胶复合管及沉淀池U型衬胶槽，广泛用于矿山精尾矿输送系统，电厂输灰系统，港口河道疏浚管路，化工浆体输送。钢橡胶复合管具有防腐耐磨，使用寿命长，输送运行阻力小，重量轻便于分体安装维护等优点。

Based on a long history of professional rubber technique, and success experience from other company at home and abroad, we developed our own products: rubber-steel clad pipe and U-type gummed tank. Be widely used in mine fine tailing conveying system, power plant dust transportation system, port channel dredging line, chemical slurry transportation. Rubber-steel clad pipe has the advantage of erosion-resistance, wear-resistance, long service time, little transport resistance, easing to split body install and maintain for light weight.

耐磨钢橡胶复合管包括直管，弯头，三通，变径管，U型槽等产品。管径规格由DN150-DN2500，对接方式为法兰连接，衬胶厚度为3-40mm，并可根据客户要求制作承压，非承压管路。

The wear resistance rubber-steel clad pipe included: run pipe, elbow, tee, reducer, U-channel etc. The pipe diameter is from DN150-DN2500, jointed by flange, the thickness of rubber liner is 3-40mm. We can also produce pressure-bearing and none pressure pipeline according to the customer's requirement.

橡胶衬里广泛应用于石油，化工，电力，农业，轻工，造纸，纺织，冶金等行业的防腐和磨损。

Rubber liner is widely used in petroleum, chemical, electric power, agriculture, light industry, paper, textile, metallurgy industries, with the advantage of erosion-resistance and wear-resistance.



溜槽准备衬胶 Ready for lining

管道喷砂处理 Sand blasting

变径管表面处理 Surface treatment

渣浆泵橡胶材质牌号

PARAMETER

配方编号 Formula No.	胶种 Rubber Type	邵氏硬度 Shore Hardness	拉伸强度 Tensile Strength	伸长率 Elongation	冲击弹性 Impact Elasticity	比重 Proportion	主要用途及特点 Characters and main use
1	天然橡胶 Natural Rubber	43	22	500	60	1.03	标准护套胶 Standard Sheath Rubber
2	天然橡胶 Natural Rubber	50	21	450	/	1.08	标准叶轮 impeller 胶 Standard Impeller Rubber
3	天然橡胶 Natural Rubber	50	24	500	70	1.07	耐撕裂、高弹 Tear Resistance, Good Elasticity
4	天然橡胶 Natural Rubber	40	22	700	73	0.97	高弹性、耐磨 Good Elasticity Wear Resistant
5	溴化丁基 Bromobutyl Rubber	65	11	400	/	1.16	耐强酸 Resist Strong Acid
6	海帕伦 Hypalon Rubber	65	17	400	/	1.4	耐高温 High Temperature Proof
7	氯丁 Chlorobutyl Rubber	50	11	450	/	1.3	耐高温 High Temperature Proof
8	丁腈 Nitrile Rubber	60	15	600	/	1.2	耐油 Oil Resistance
9	天然橡胶 Natural Rubber	55	20	500	/	1.1	耐细颗粒磨损 Fine particle Wear Resistant
10	三元乙丙橡胶 EPDM Rubber	50	9	640	52	1.04	耐酸，耐臭氧，耐高温 Acid resistance, ozone resistance, high temperature resistance

THE CUSTOMER SERVICE OF OUR COMPANY

客户服务



◆ 石家庄强大泵业集团有限责任公司

Shijiazhuang Kingda Pump Group Co., Ltd.

◆ 首钢集团有限公司矿业公司

Shougang Group Co., Ltd. Mining Company

◆ 新天钢集团

Tianguang Steel Group.

◆ 河北泉恩高科技管业有限公司

JM QuanEn High-Tech Piping Co., Ltd.

◆ 河北埔润泵业有限公司

Hebei Purun Pump Co., Ltd.